

# TZE93 Weekly Programming Thermostat with LCD Touch Screen Installation Manual

## TZE93 Weekly Programming Thermostat with LCD Screen

Weekly circulation, it is possible to set 6 periods called events each day with different temperatures, also you can select "manual mode" or "temporary control mode" according to your individual requirements. The thermostat is recommended for the control of electric heating devices or on/off valve actuator used in water-based heating systems.

### Selection Table:

Model	Current	Application
TZE93.713	3A	Built-in & floor sensor, floor limit sensor, period programming
TZE93.716	16A	Built-in & floor sensor, floor limit sensor, period programming

### Technical data:

Voltage	: AC 110 ~ 230V
Range	: Minium 40m in door 70m outdoor line of sight
Frequency	: 868.42MHz(EU), 908.4MHz(US), 921.4MHz(AU), 869MHz(RU)
Power consumption	: 2W
Setting range	: 5°C ~ 90°C
Limitation range	: 5°C ~ 99°C (factory setting: 35°C)
Switching differential	: 0.5°C ~ 10°C (factory setting: +1°C)
Ambient temperature	: -5°C ~ 50°C
Protective housing	: IP20
Housing material	: self-extinguishing PC

### Inclusion/Exclusion

- 1) Make sure the thermostat in the off mode,
- 2) Have Z-wave controller enter inclusion or exclusion mode,
- 3) Press [ ] key on thermostat 3 times in 1.5 seconds will enter inclusion/exclusion mode. The wireless icon will twinkle in the certain interval.
- 4) After the twinkle stop, if the wireless icon display means the product in the Z-wave network, else not.

### Memory Function

Parameter NO:4  
 -Length: 1 Byte  
 -Valid values =0 or 1 (default value is 1)  
 When the value is 0, device memory function not open; when the value is 1, open device memory function. The memory function means the thermostat will recover the operating mode after a power failure.

### Z-wave Supported Command Class

COMMAND\_CLASS\_ASSOCIATION  
 COMMAND\_CLASS\_ASSOCIATION\_GRP\_INFO  
 CPMMAND\_CLASS\_BASIC  
 COMMAND\_CLASS\_SWITCH\_ALL  
 COMMAND\_CLASS\_THERMOSTAT\_MODE  
 COMMAND\_CLASS\_THERMOSTAT\_SETPOINT  
 COMMAND\_CLASS\_SENSOR\_MULTILEVEL  
 COMMAND\_CLASS\_FIRMWARE\_UPDATE\_MD\_V2

### Daily use of the thermostat

- 1) on/off "O"
- 2) In the manual mode, press "△" or "▽" to make temporary control.
- 3) Press "△" or "▽" to increase or decrease pre-set temperature.
- 4) Press "☞" and "△" and hold for 5 seconds at the same time to adjust time. Press "☞" to choose object to adjust; Press "△" or "▽" to increase or decrease your set values; Press "☞" to confirm and exit.
- 5) Press the "☞" key to select manual mode or clock-controlled program mode.
- 6) It displays the time or the pre-set temperature alternately, and it displays the measured temperature directly.
- 7) When you press "△" and "▽" at the same time and hold for 5 seconds, the thermostat will be locked/unlocked. When it is locked, no operation can be carried out until it is unlocked.

### Display symbols:

- ☞ Manual mode
- ☞ Period control mode
- ☞ Heating
- ☞ Getting up, the first period
- ☞ Out in the morning, the second period
- ☞ Going home at noon, the third period
- ☞ Out in the afternoon, the fourth period

- ☞ Going home in the evening, the fifth period
- ☞ Sleeping at night, the sixth period

### Period programming

Press "☞" and hold for 5s to enter the mode of Period programming.

Key	Period	Symbol	Time	Temperature
☞ ☞ ☞ ☞ ☞ ☞	weekday	1 ☞	06:00	20°C
		2 ☞	08:00	15°C
		3 ☞	11:30	15°C
		4 ☞	12:30	15°C
		5 ☞	17:00	22°C
		6 ☞	22:00	15°C
☞ ☞	weekend	1 ☞	08:00	22°C
		2 ☞	23:00	15°C

### Advanced setting (qualified person preferred)

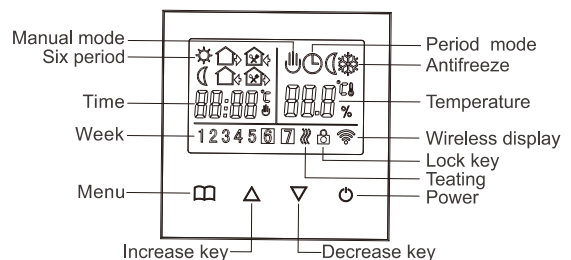
When the thermostat is turned off, You can press "☞" and turn on it at the same time, then you can enter the mode of advanced setting.

Symbol	Setting	or
1 ADJ	Temperature calibration	Adjust measured temperature
2 SEN	Sensor mode	IN: built-in sensor OUT: floor sensor ALL: both sensors
3 LIT	Limitation temperature	Adjust limitation value, Limitation range: 5°C ~ 60°C
4 DIF	Switching differential	Adjus switching differential
5 LTP	Antifreeze function	Turn on/off Anti-frozen function
6 PRG	Set vacation mode	00: 5/2 day mode 01: 6/1 day mode 02: 7 day mode
7 RLE	Sound Settings	Turn on/off the sound
8 DLY	Power saving mode	OFF: Long bright ON: Light 20s put out
9 HIT	Max temperature	Limitation temperature setpoint
A FAC	Reset to factory settings	Press "△" and hold for 5s, all parameters will be reset

### Sensor failure:

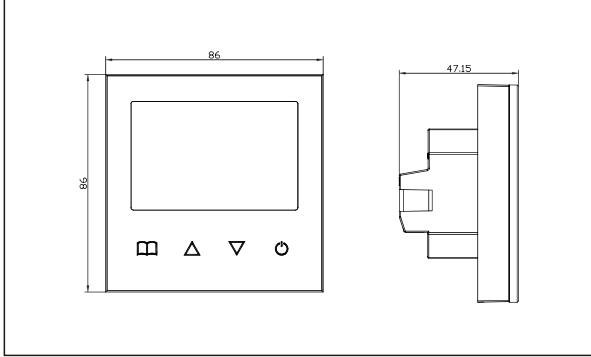
Please select the right sensor mode when operation, it will display the "Ero" "Eri" symbol on screen far sensor failure, thermostat must be checked till the fault is eliminated

### Explanation of symbols:



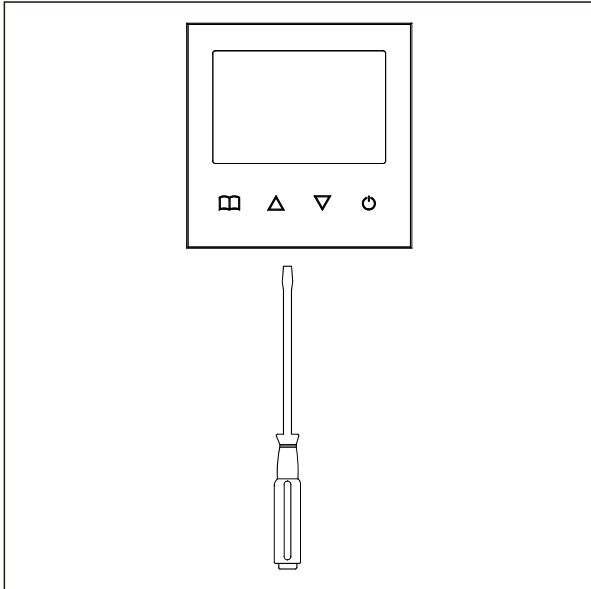
# TZE93 Weekly Programming Thermostat with LCD Touch Screen Installation Manual

**Dimension:**  
Unit:mm

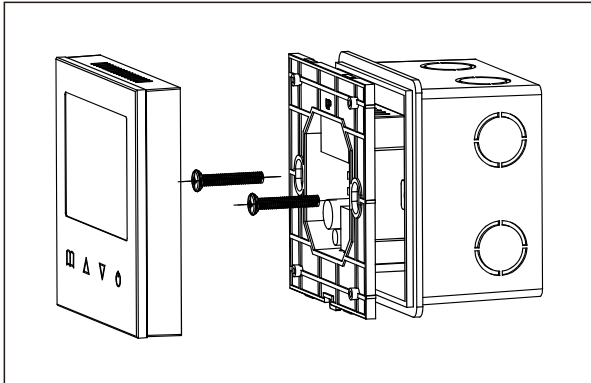


**Mounting steps:**

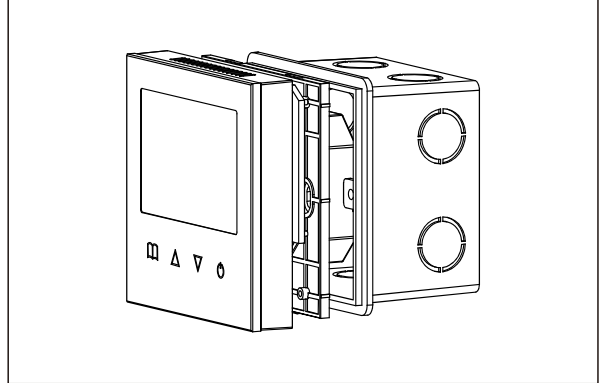
1. Removing cover from TZE93.  
Use tool to gently push the cover locking clip vertically at bottom. Pull the base of the cover assembly away from rear case. Remove cover and put in safe place.



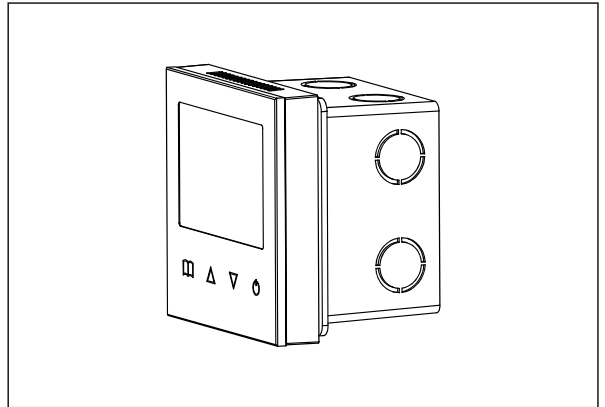
2. Wiring connections  
Solid and stranded wire square: max 1.5 mm<sup>2</sup>
3. Install the rear case  
First you should install a wall box which center hole distance is 60mm. then use screw to fix rear box on wall boxes.



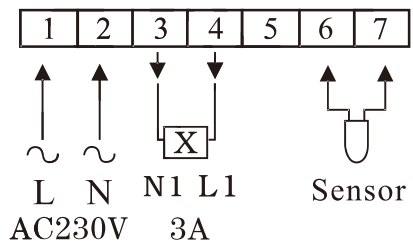
4. Locate the front cover on rear case.  
Ensure that the rear case and front cover are aligned each other.



5. Gently locate the cover locking clip in rear case location and close it.



**Connection diagram:**  
TZE93.713



TZE93.716

