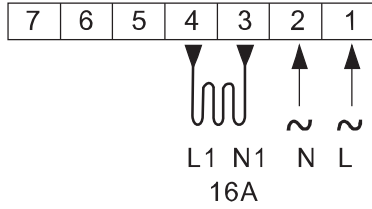
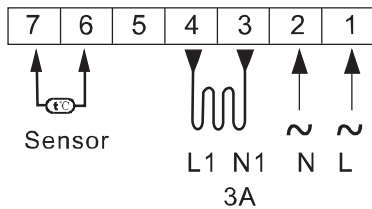


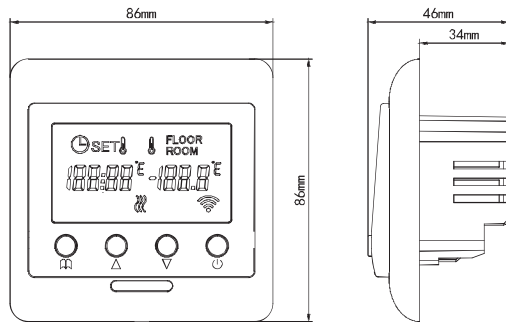
TZ 10.16



TZ 10.13



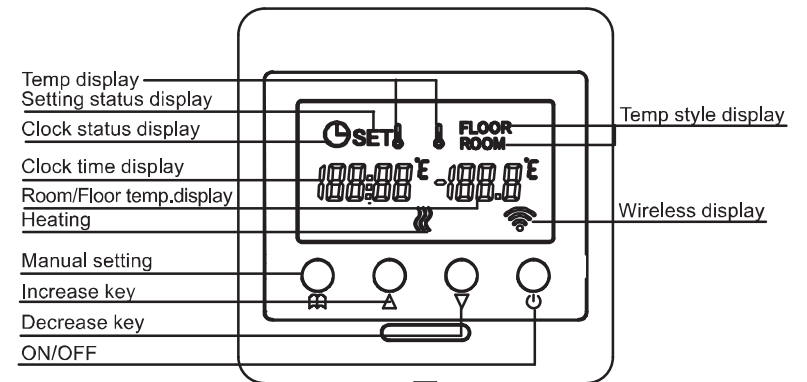
Dimension: mm



TZ10.XX-V1.0-20170429

TZ10.XX Heating Thermostat with LCD Screen

Function and display description



Note: This thermostat must be "Included in the Network" only where it will be permanently installed. The proper operation of this node in the mesh network is dependent on is knowing its location with respect to other nodes. You cannot "test bench" configure this module then install.

Heating thermostat with LCD Screen, adopt z-wave technology to realize remote and manual control. The thermostat is recommended for the control of electric heating device or on/off valve actuator used in hydronic heating.

Adding to Z-Wave™ Network

Please make sure the thermostat in the off mode.

Function	Description	Wireless logo
No node ID	The Z-Wave controller does not allocate a node ID to the Switch	vanish
Add	1. Have Z-Wave controller entered inclusion mode.	flicker
	2. When switch off, tap "Manual" continuously three times in two seconds will enter inclusion mode	
	Node ID has been inclusion.	display
Remove	1. Have Z-Wave controller entered inclusion mode.	flicker
	2. When switch off, tap "Manual" continuously three times in two seconds will enter exclusion mode	
	Node ID has been excluded.	vanish

User operation:

1) ON/OFF: "⏻"

2) Manual: "🔑"

When switch off, tap "Manual" continuously three times in two seconds, "wireless" start to flicker. "wireless" display or vanish after add or delete device successfully.

Press "🔑" key, chose temperature setting or time setting.

Press the "🔑" key for 3 seconds, LCD screen display room & floor temperature for switching.

3) Under in temperature setting mode

Press "△" key to increase the set value, and press "▽" key to decrease, every step is 1°C.

4) Under in time setting mode

Press "△" or "▽" key to adjust present time.

5) Under in temperature calibration

Press "△" and "▽" key for 3 seconds into adjust temperature calibration

Press "△" or "▽" to adjust present checked value, adjustable scale: 9.9°C.

6) After add device successfully, temperature regulation, switch on/off by control terminal equipment.

Memory function

Parameter NO:4

- Length: 1 Byte

- Valid values=0 or 1 (default value is 1)

Stated in the above form, device by default value is 1, when the value is 0, device memory function not open; when the value is 1, open device memory function.

Sensor Failure:

Please select the right sensor mode when operation. It will display the "Err" symbol on screen for sensor failure. Thermostat must be checked till the fault is eliminated.

Attention:

The thermostat which connect the electric heating device is apply to full load (3200W) heating cable in 2500m height above sea level, and the rated power of external load should be less than or equal to 80% rated power thermostat

when in the 2500m to 4200m height.

Specification:

Operating voltage: AC 110-230V

Range: Minimum 40m in door 70m outdoor line of sight

Frequency range: 868.42MHz(EU),908.4MHz(US),921.4MHz(AU),869MHz(RU)

Power consumption: 2W

Setting range: 5~35°C (can adjust to 5~90°C)

External limitation: 5~60°C (factory setting 35°C)

Sensor : NTC internal/external sensor

Switching differential: $\pm 1^{\circ}\text{C}$

Ambient temperature: -5~50°C

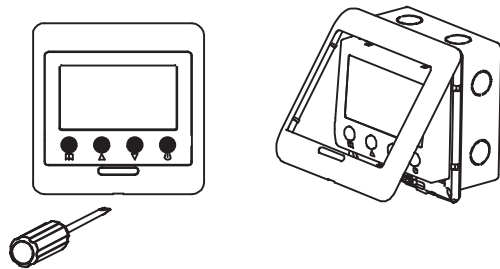
Protective housing: IP20

Housing material: anti-flammable PC

Specification are subject change and improvement without notice

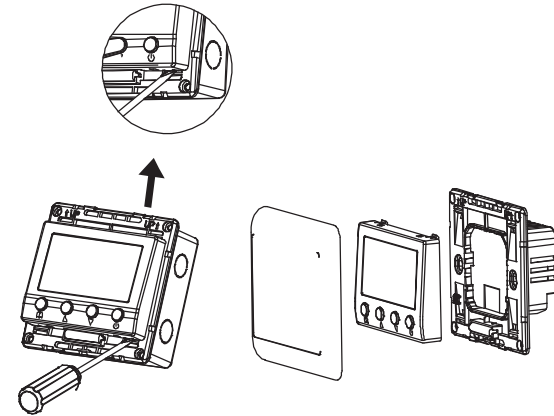
Mounting steps:

1. Release the front cover by inserting a screwdriver into bottom crack.

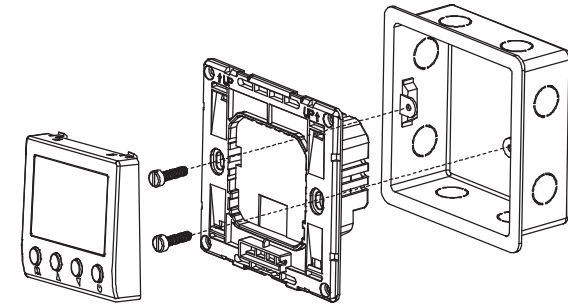


-4-

2. To pry out the snaps from four directions.



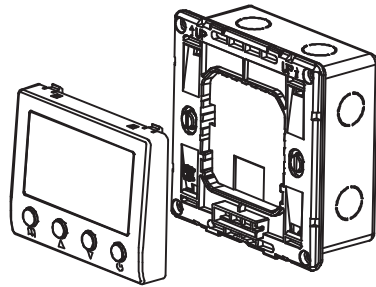
3. After connecting wires, mounting the backing plate in the wall box by screwdriver.



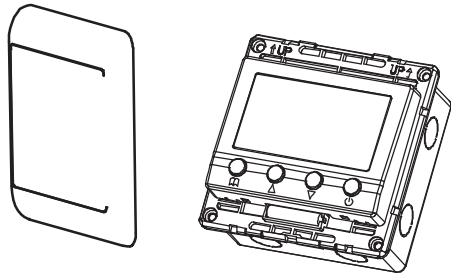
-5-

TKB
Home

4. Mounting the thermostat on the backing plate.



5. Remount the cover and frame.



Z-Wave Supported Command Class

COMMAND_CLASS_ASSOCIATION
 COMMAND_CLASS_ASSOCIATION_GRP_INFO
 COMMAND_CLASS_BASIC
 COMMAND_CLASS_THERMOSTAT_MODE
 COMMAND_CLASS_THERMOSTAT_SETPOINT
 COMMAND_CLASS_FIRMWARE_UPDATE_MD_V2

Parameter:

Model	Current	Application
TZ 10.13	3A	Built-in sensor, for control of electric or electro-thermal actuator
TZ 10.16	16A	Built-in sensor, for control of electric heating cable or other electric heating device
TZ 10.26	16A	Built-in & floor sensor, for electric heating device, only display room temperature
TZ 10.36	16A	Built-in & floor sensor, for electric heating device, display room or floor temperature it can be choose

TZ 10.26
 TZ 10.36

