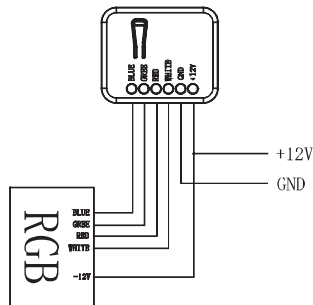


Wiring diagram



L: Line voltage input
 N: Line neutral
 R: Red led light
 G: Green led light
 B: Blue led light
 W: White led light

Specification

Operating Voltage	DC 12V
Maximum Load	2A×4
Range	Minimum 40m in door 70m outdoor line of sight
Operating Temperature	0°C ~ 40°C
Frequency Range	868.4MHz(EU),908.4MHZ(US),921.4MHz(AU),869MHz(RU)



Interoperability with Z-WAVE devices

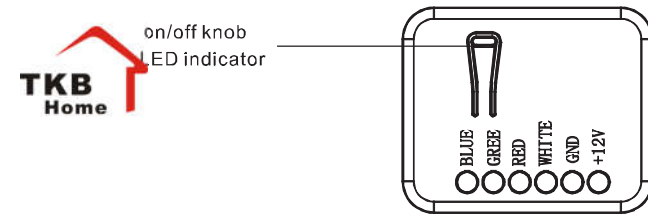
A Z-Wave network can integrate devices of various classes made by different manufacturers. The TZ77 can be incorporated into existing Z-Wave networks. The TZ77 module can be used to carry out inclusion, association, or exclusion.

Warning:

1. Do not dispose of electrical appliances as unsorted municipal waste, use separate collection facilities.
2. Contact your local government for information regarding the collection systems available.
3. If electrical appliances are disposed of in landfills or dumps, hazardous substances can leak into the groundwater and get into the food chain, damaging your health and well-being.
4. When replacing old appliances with new one, the retailer is legally obligated to take back your old appliance for disposal at least for free of charge.

TZ77-V1.0-2016.9.9

TZ77 Insert RGB dimmer switch module



Note: This module must be "Included in the network", and suitable for where it will be permanently installed. The proper operation of this node in the mesh network is dependent on it knowing its location with respect to other nodes. You can not "test bench" configure this module, then install.

This insert switch module in a transceiver which is a Z-Wave enabled device and is fully compatible with any Z-Wave enabled network. Z-Wave enabled devices displaying the Z-Wave logo can also be used with it regardless of the manufacturer, and ours can also be used in other manufacturer's Z-Wave enabled networks. Remote on/off control of the connected load is possible with other manufacturer's wireless controller. Each switch is designed to act as a repeater. Repeaters will re-transmit the RF signal to ensure that the signal is received by its intended destination by routing the signal around obstacles and radio dead spots.

Adding to Z-Wave™ Network

In the front casing, there is an on/off button with LED indicator which is used to toggle switch on and off or carry out inclusion, exclusion, reset or association. When first power is applied, its LED flashes on and off alternately and repeatedly at 1-second intervals. It implies that it has not been assigned a node ID and can not work with Z-Wave enabled devices.

The table below lists an operation summary of basic Z-Wave functions. Please refer to the instructions for your Z-Wave™ certificated primary controller to access the setup function, and to include/exclude/associate devices.

Function	Description	LED Indication
No node ID	The Z-Wave Controller does not allocate a node ID to the Switch.	1-second on, 1-second off
Add	1. Have Z-Wave Controller entered inclusion mode.	Press on, for off Press off, for on
	2. Pressing On/Off button three times within 1.5 seconds will enter inclusion mode.	
Remove	1. Have Z-Wave Controller entered exclusion mode.	Press on, for off Press off, for on
	2. Pressing On/Off button three times within 1.5 seconds will enter exclusion mode.	
	Node ID has been excluded.	1-second on, 1-second off
Reset	1. Pressing On/Off button three times within 1.5 seconds will enter inclusion mode.	Press on, for on Press off, for off
	2. Within 5 second, press On/Off button again for 1 seconds until LED is off.	
	3. ID is excluded	1-second on, 1-second off
Association	1. Have Z-Wave Controller entered association mode. Or Pressing On/Off button three times within 1.5 seconds will enter association mode	Press on, for on Press off, for off
	2. There are two groups for the switch Each group can associate max five devices.	
<p>※Including a node ID allocated by Z-Wave controller means Add. Excluding a node ID allocated by Z-Wave controller means remove.</p> <p>※Failed or success in including/excluding the node ID can be viewed from the Z-Wave controller.</p> <p>※Association:it can be associated by Z-Wave devices with association</p> <p>※Use the“Reset” procedure only in the event that the network primary controller is missing or otherwise inoperable</p> <p>※The group identifier is “Group 1”.</p> <p>Association group info report command class Profile:General lifeline (Profile MSB=0x00,Profile LSB=0x01) Association group name report command class Group 1:lifeline</p>		

Programming

The on/off knob allows the user

- Turn on or off the load attached
- Include or exclude the switch from the Z-Wave system



Configuration Parameter	Function	Size (Byte)	Value	Unit	Default	Description
1	Change the state of indicator light	1	0-1		1	Default status of socket LED is on as indicator when the load is off
2	Memory function	1	0-1		1	Default with memory: the socket status is same as before when power on

Troubleshooting

Symptom	Cause of Failure	Recommendation
The switch isn't working and LED off	1.The switch is not connected to the power 2. The switch is out of order	1.Check power connections 2. Don't open up the switch and send it to repair.
The switch LED illuminating, but can not control the On/Off switch of the load attached	Check if the load plugged into the switch has its own On/Off switch	Set the On/Off switch of the load attached to on
The switch LED illuminating, but the controller can not control the switch	1.Not carry out association 2.Frequency interference	1.Carry out association 2.Wait for a while to re-try

Product size (mm)

